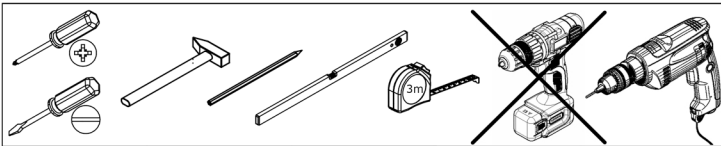
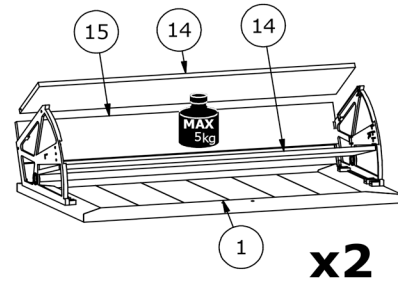
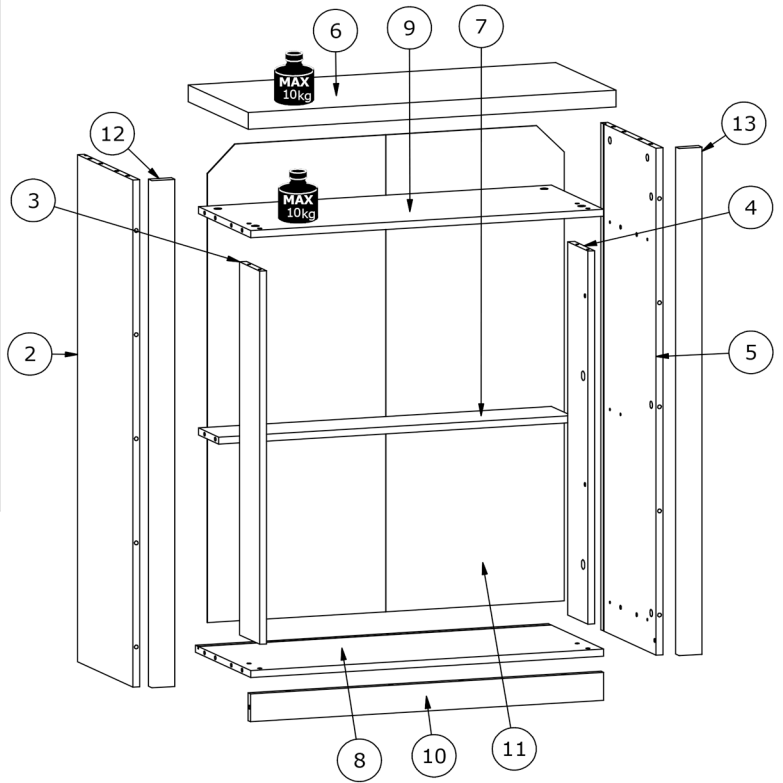
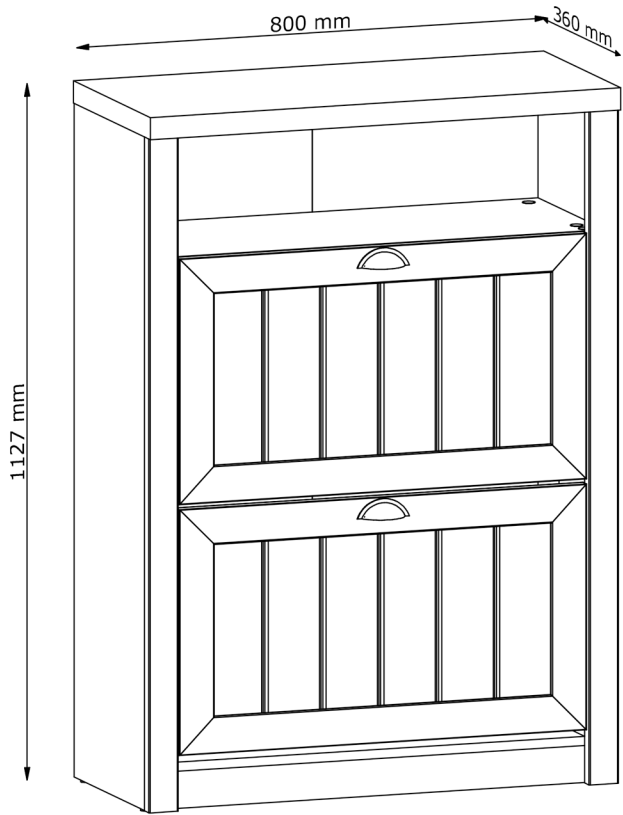
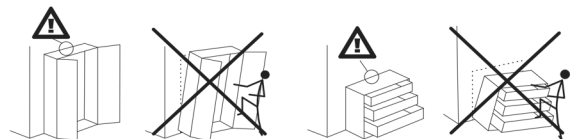
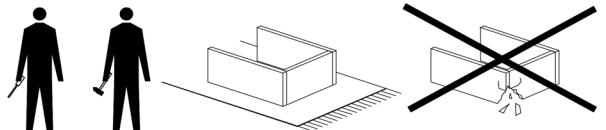


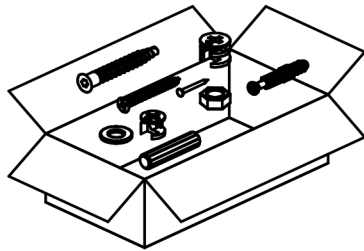
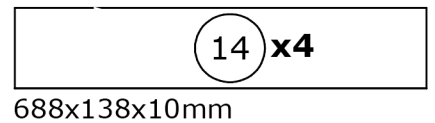
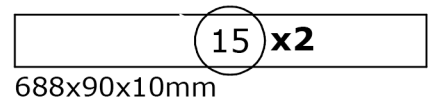
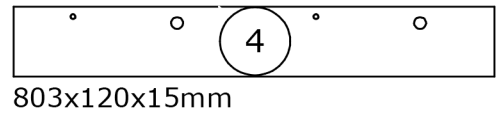
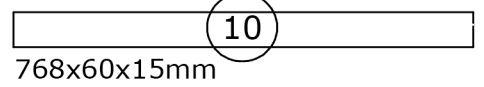
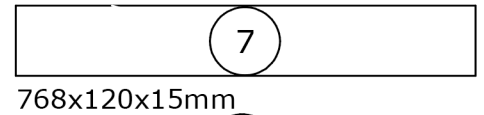
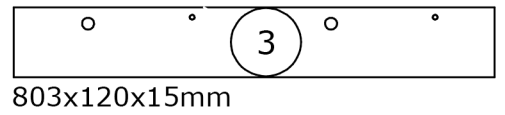
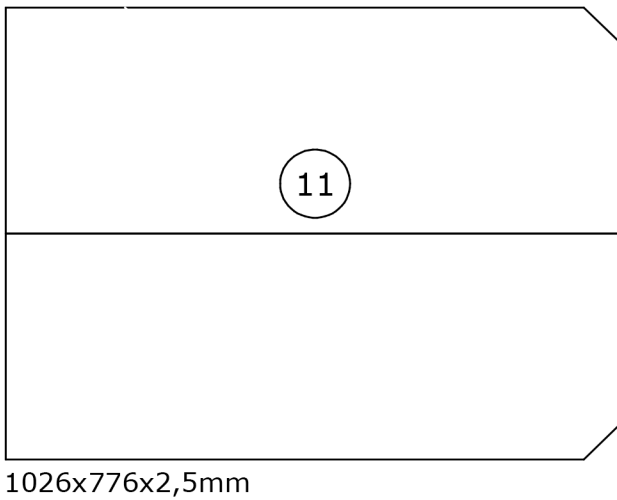
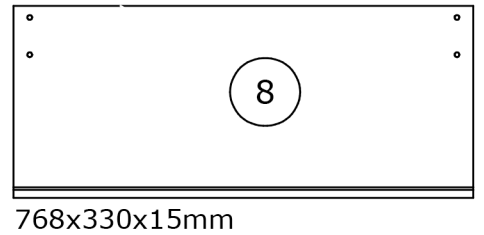
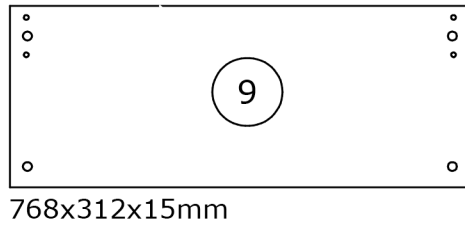
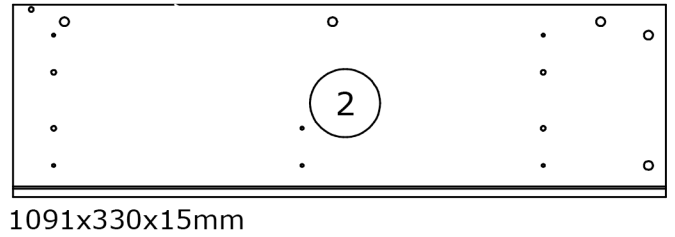
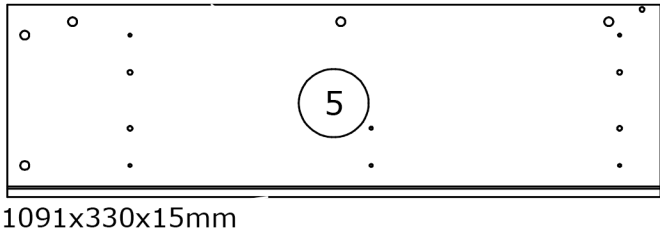
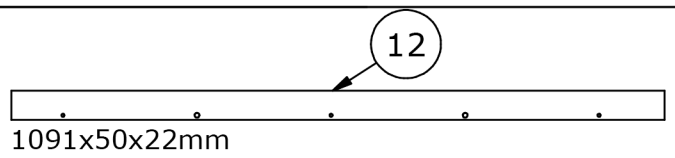
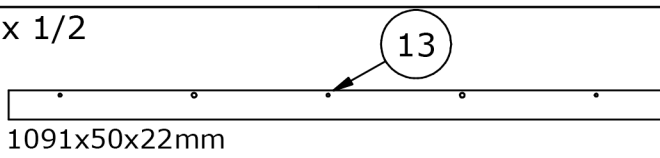
SNB_SA



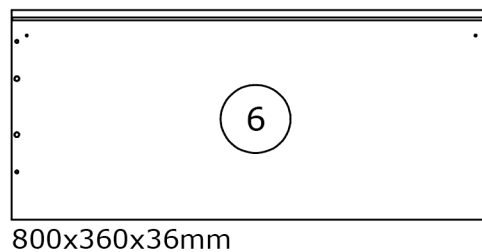
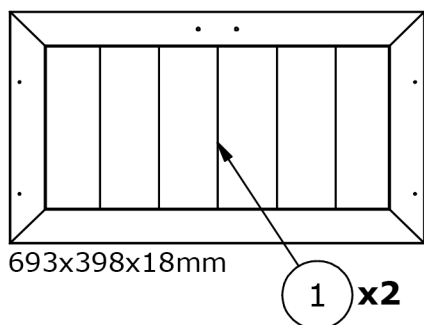
| | | | | |
|----------------------|------------------------|----------------------|----------------------|-----------------------|
| A x22 Ø8x35mm | B x16 Ø3,5x16mm | C x4 Ø16mm | D x12 Ø21mm | E x22 Ø15mm |
| F x22 Ø5x38mm | G x2 76x15mm | H x6 Ø26mm | I x12 14x14mm | J x2 76x15mm |
| K x8 6,4x50mm | L x2 Ø88mm | M x4 6,3x13mm | N x4 M4x22mm | O x12 3,5x16mm |
| P x4 Ø10x21mm | Q x2 Ø88mm | R x2 Ø18x9mm | S x4 Ø18x9mm | T x4 Ø23x10mm |
| U x12 Ø3x20mm | V x1 | W x1 4mm hex | | |



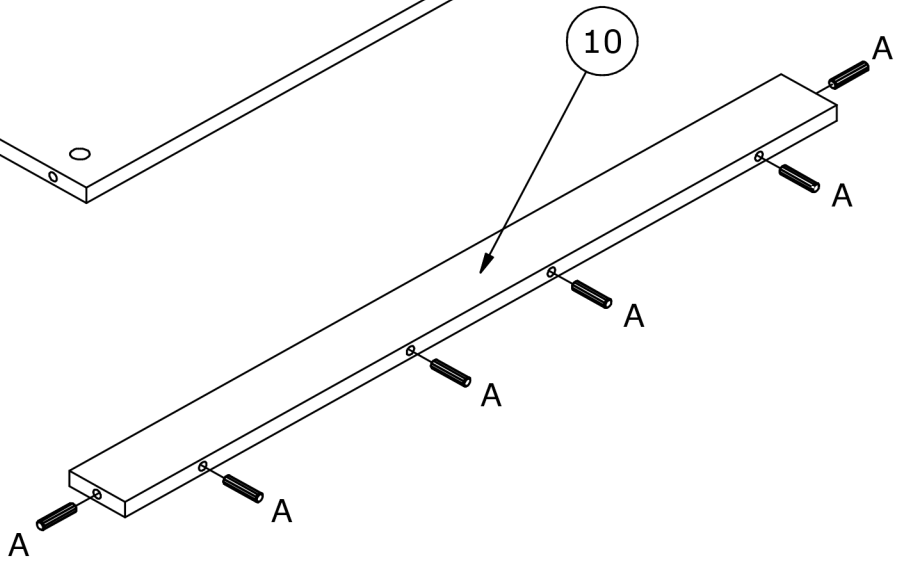
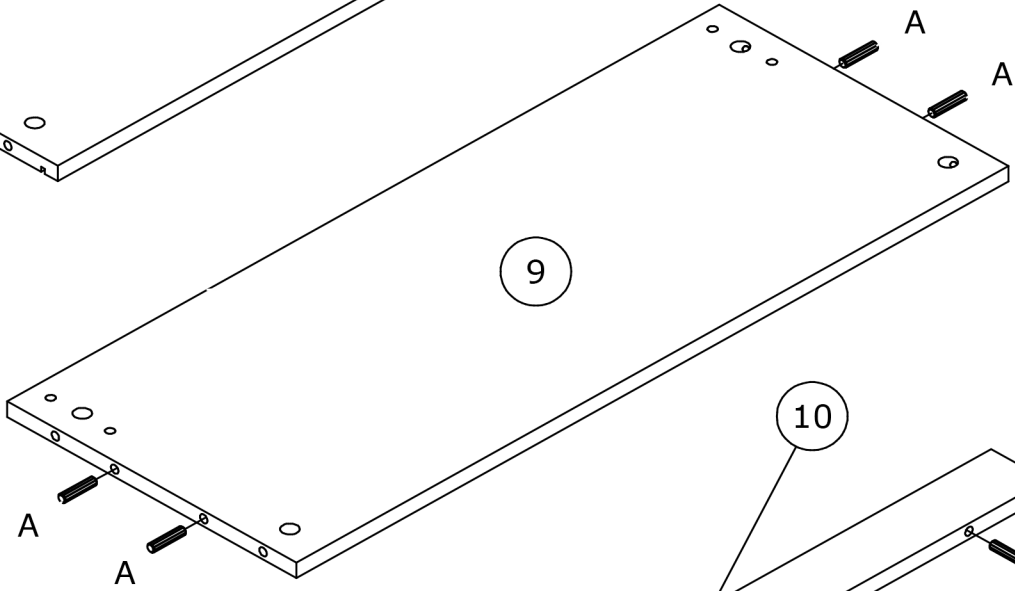
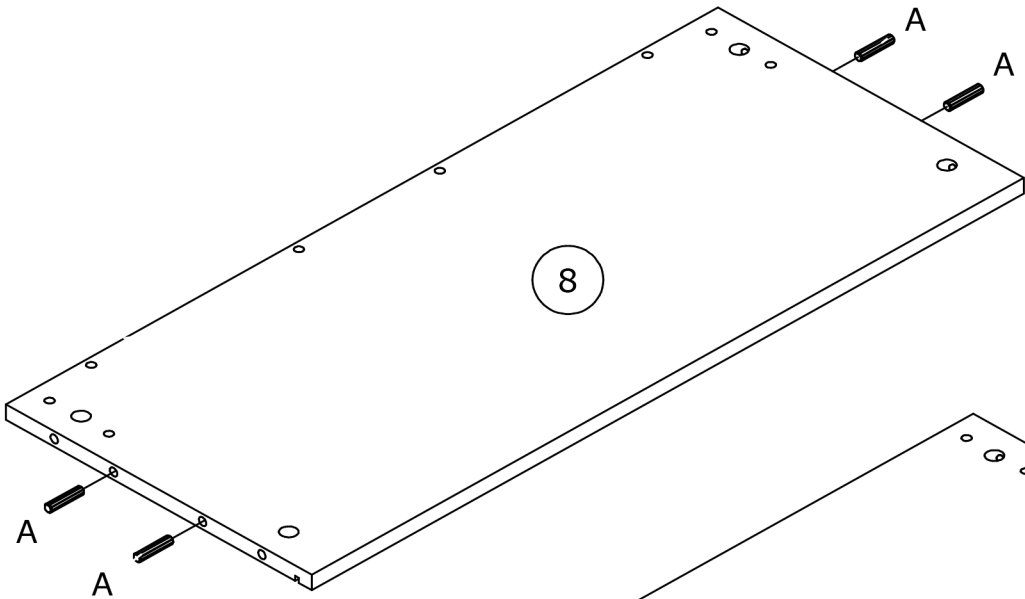
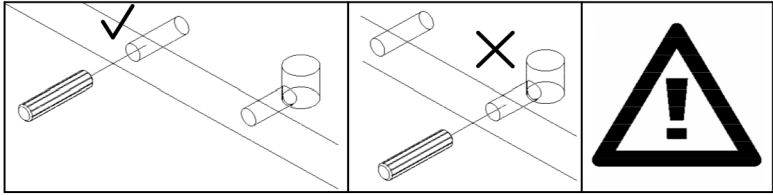
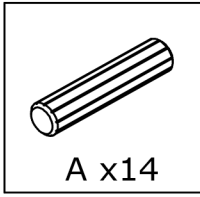
Box 1/2



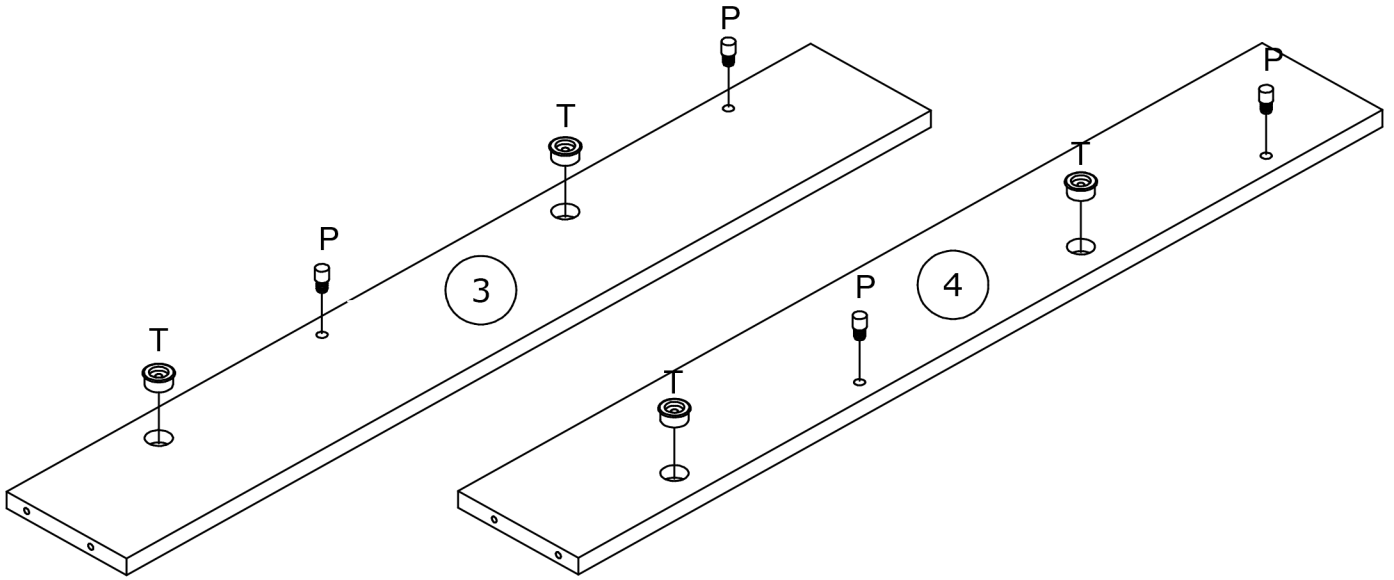
Box 2/2



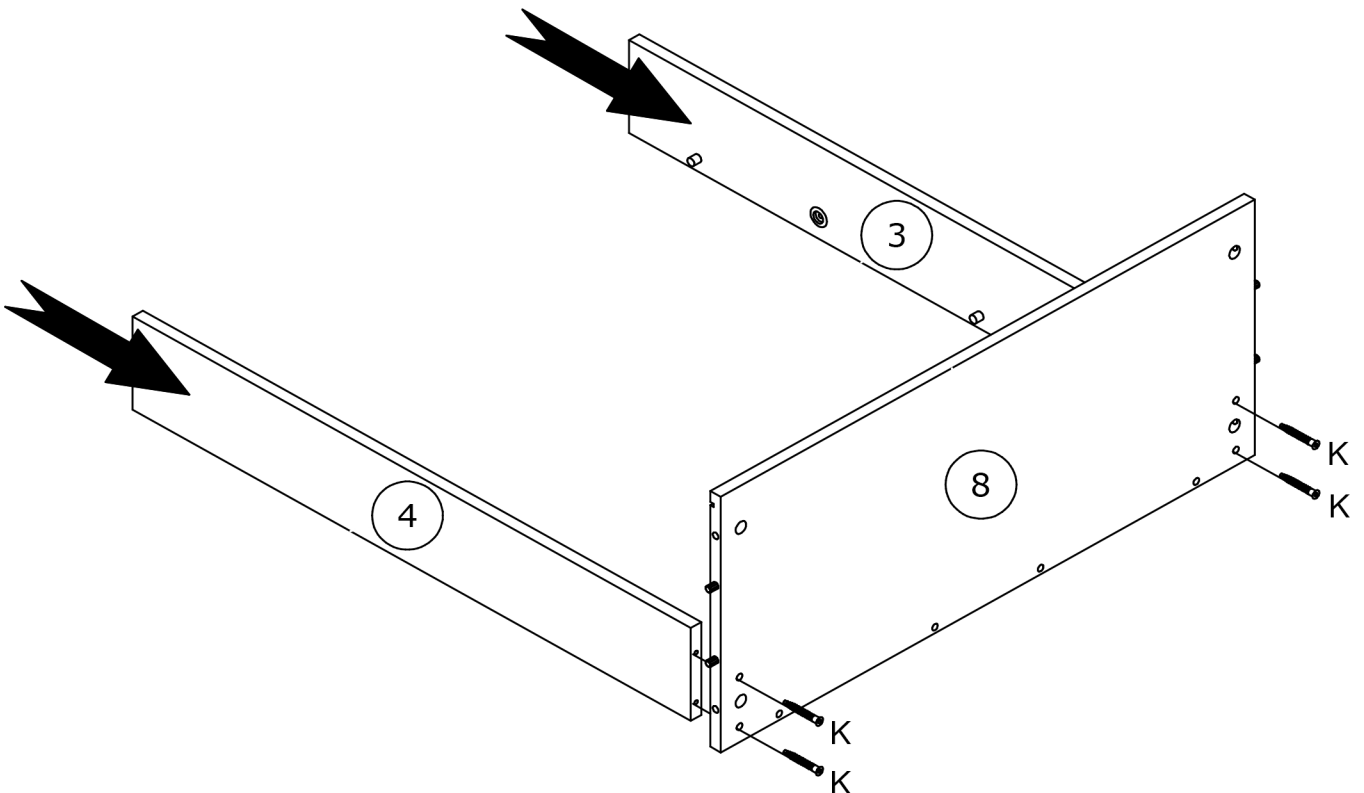
1



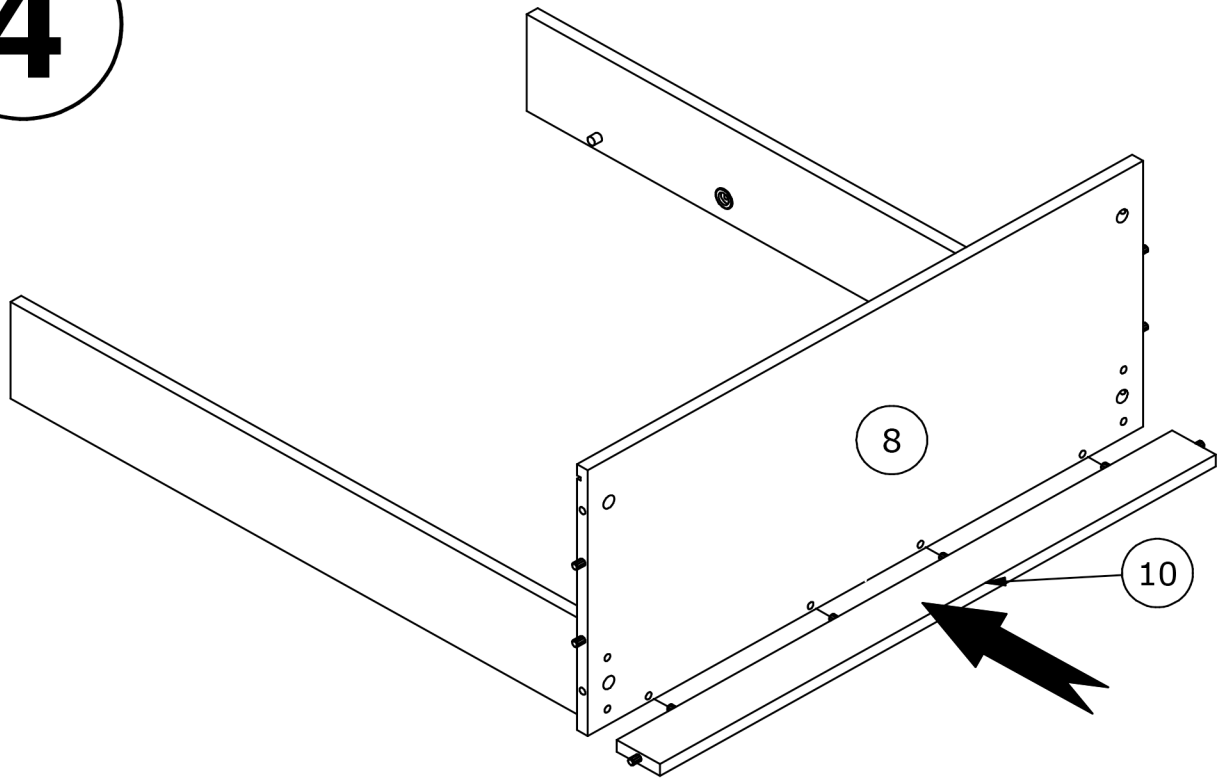
2



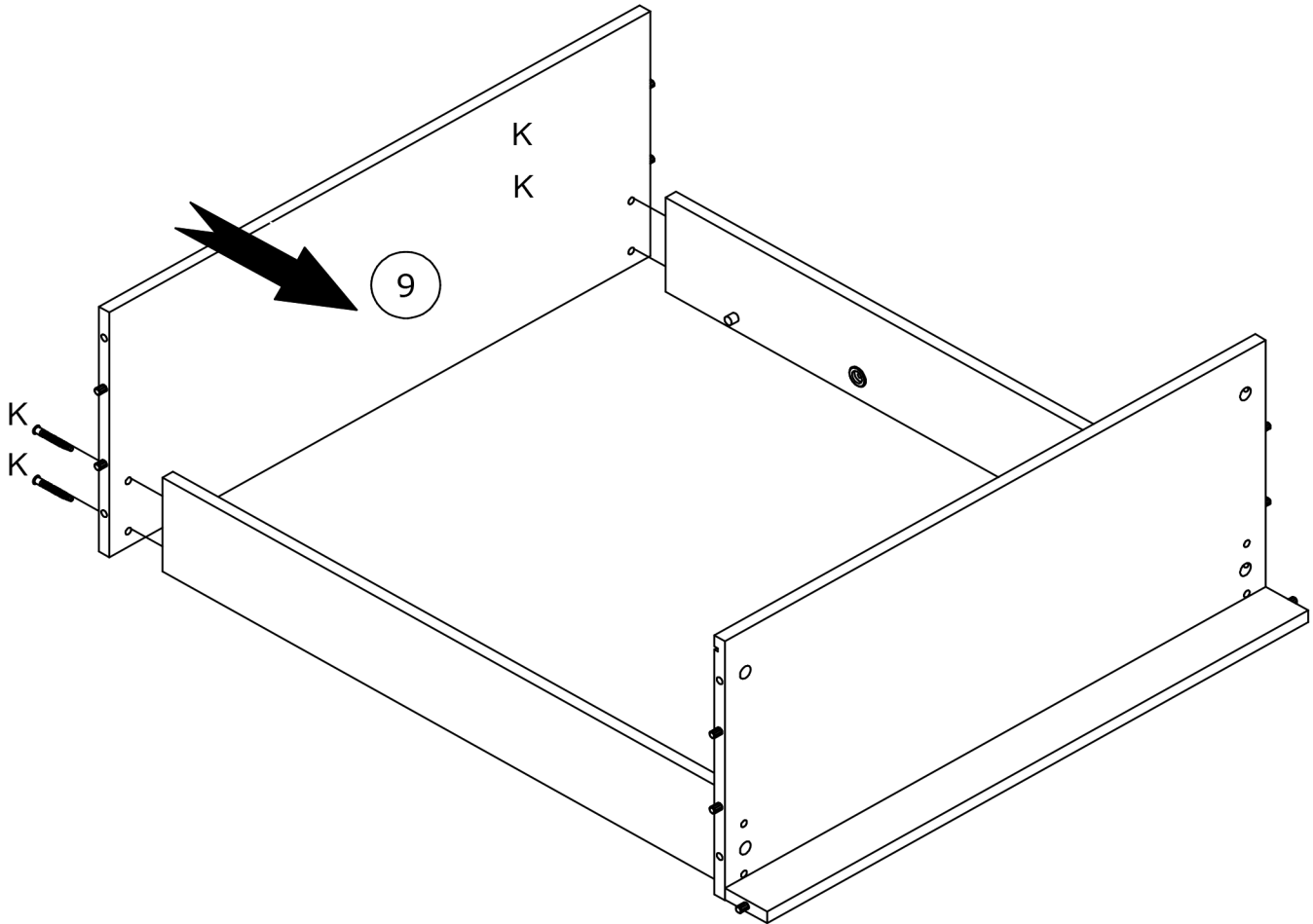
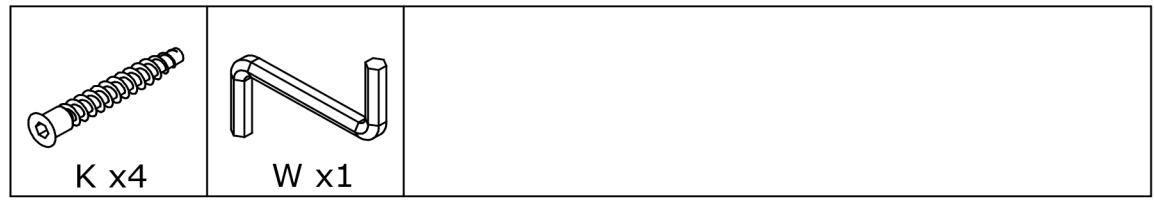
3



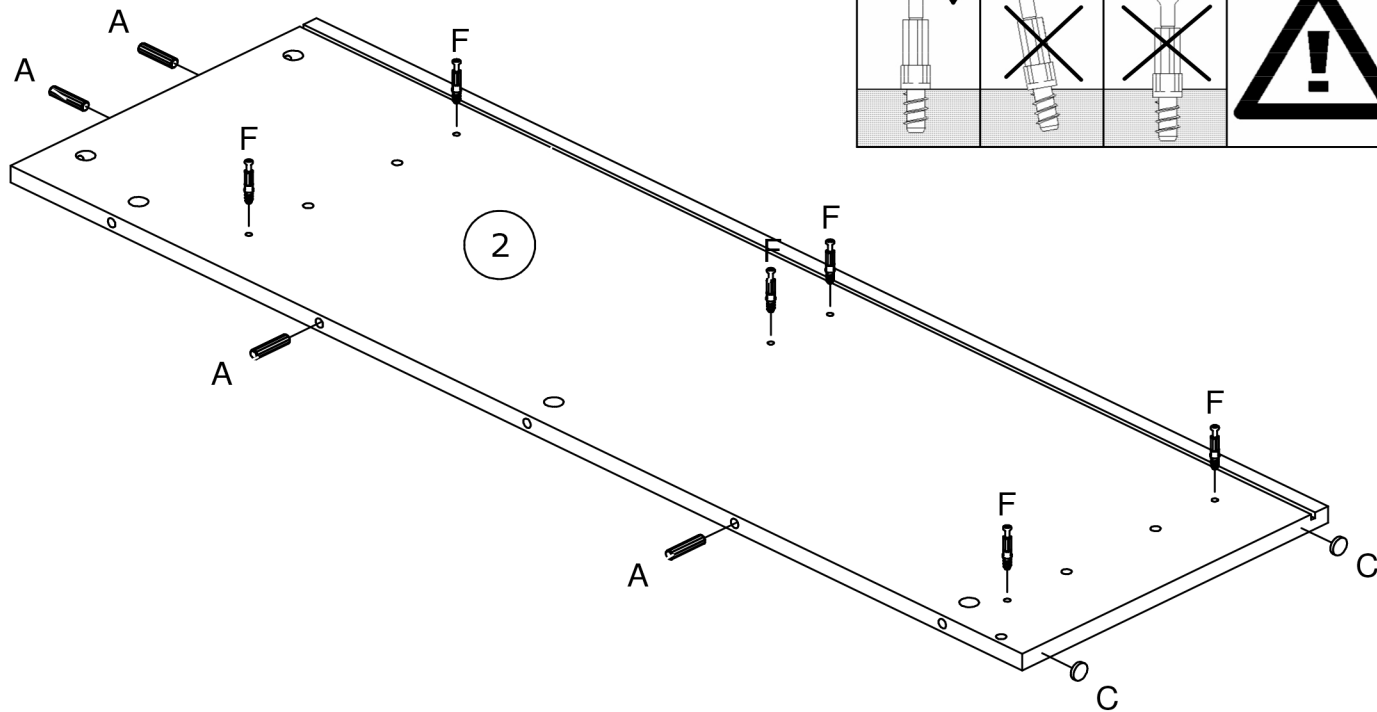
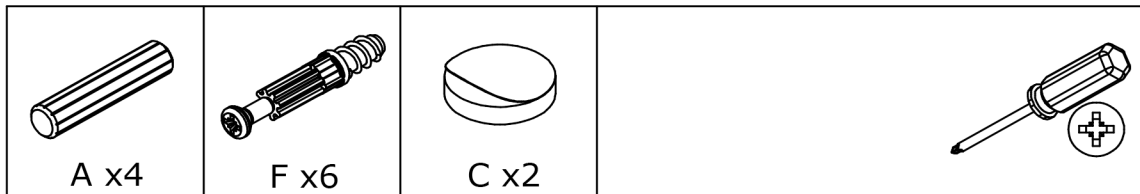
4



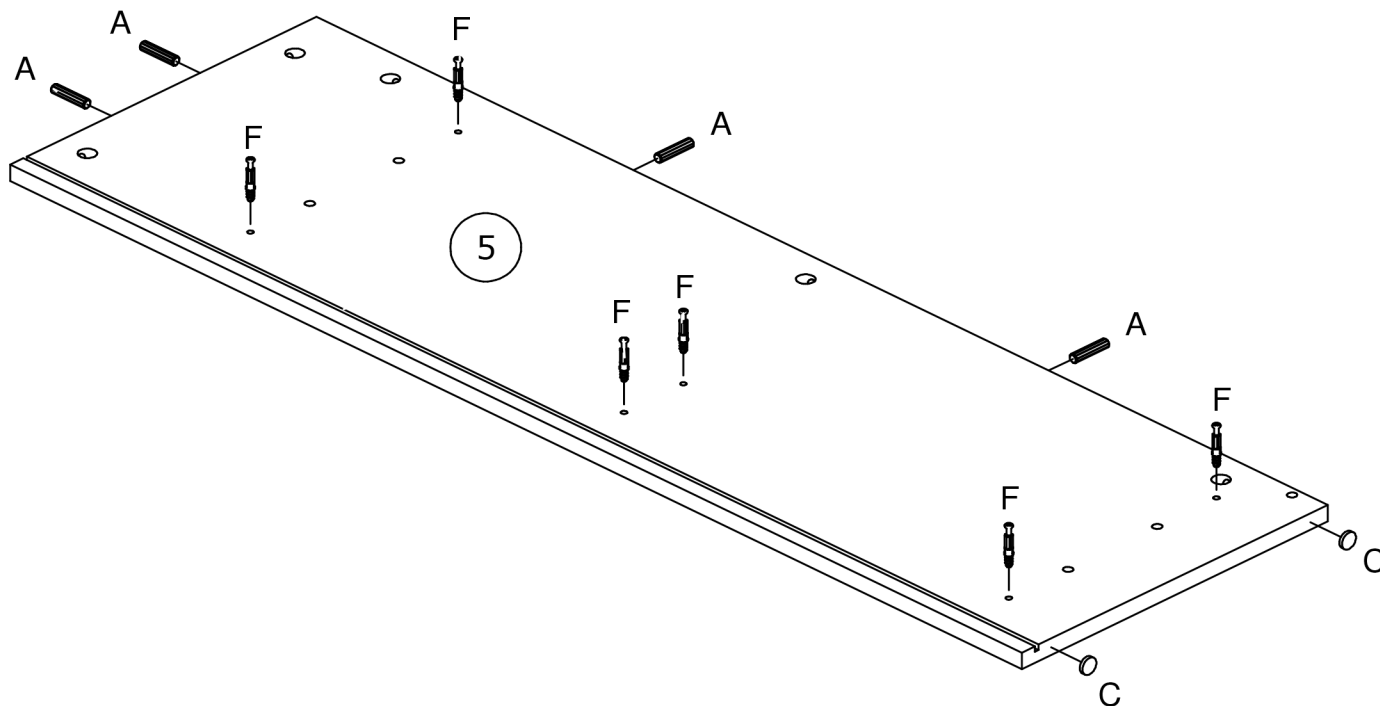
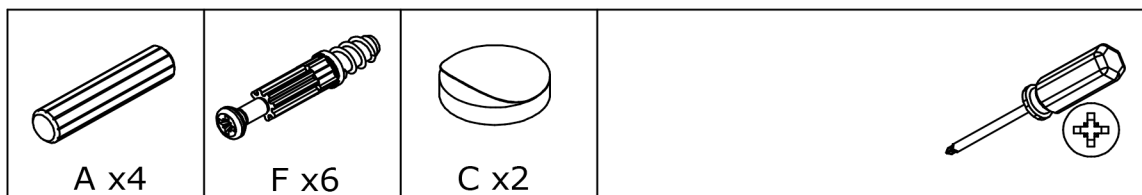
5



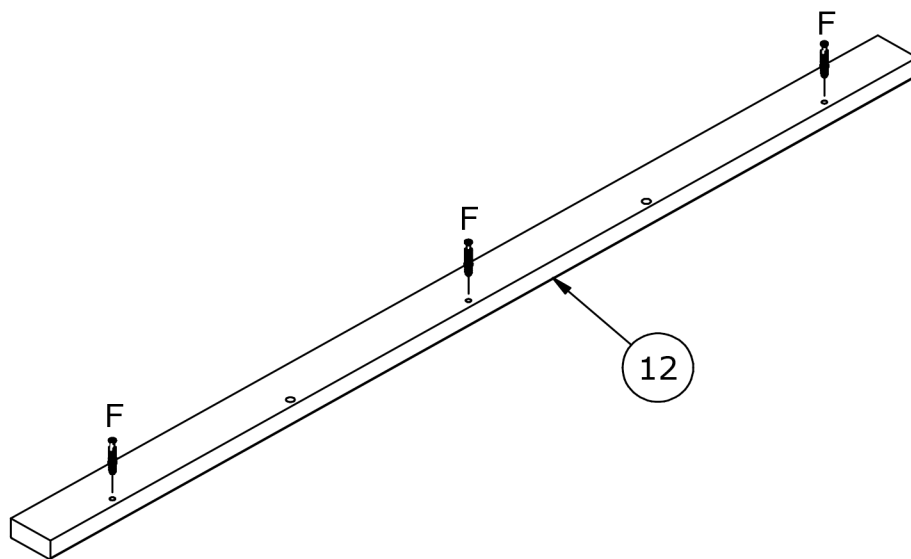
6



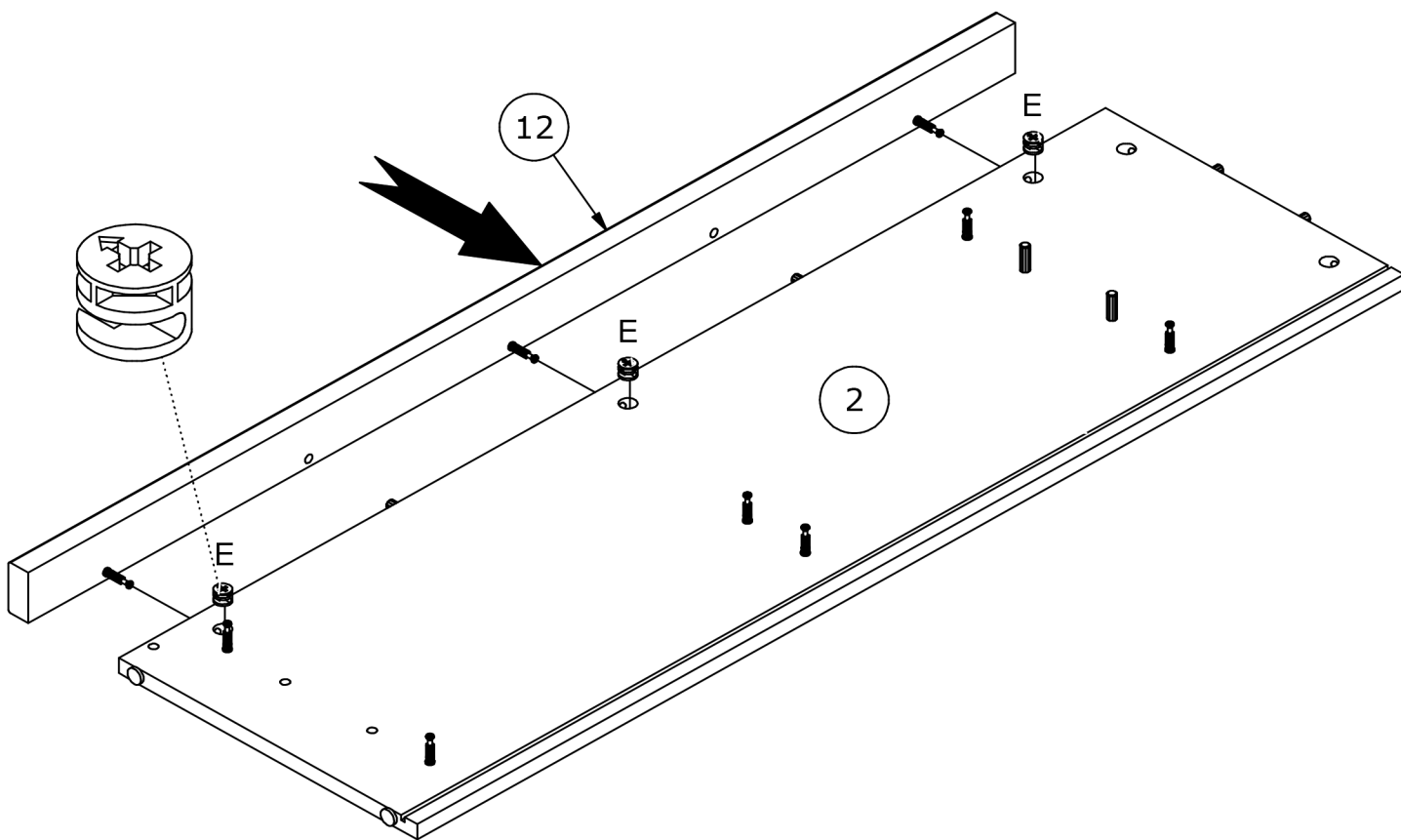
7



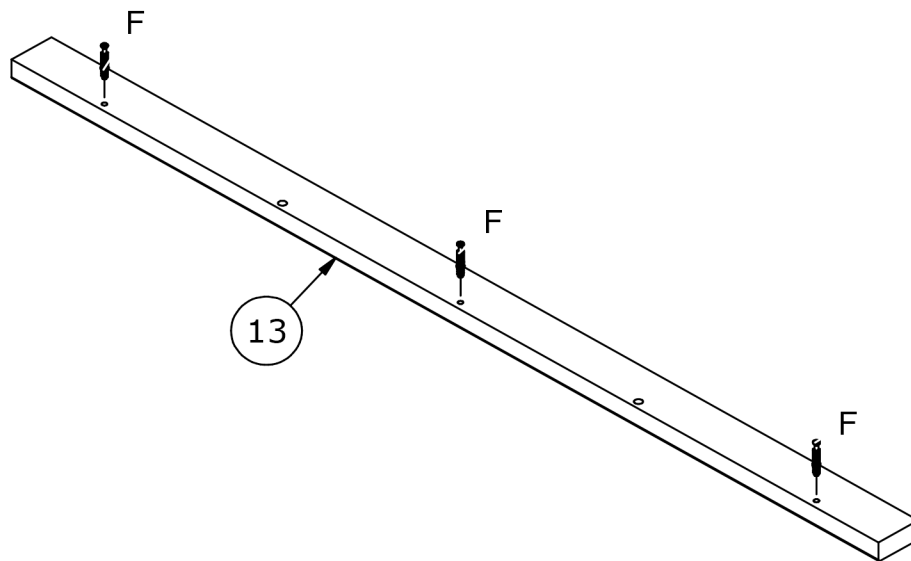
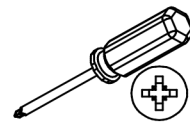
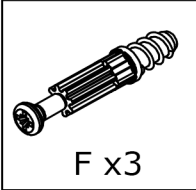
8



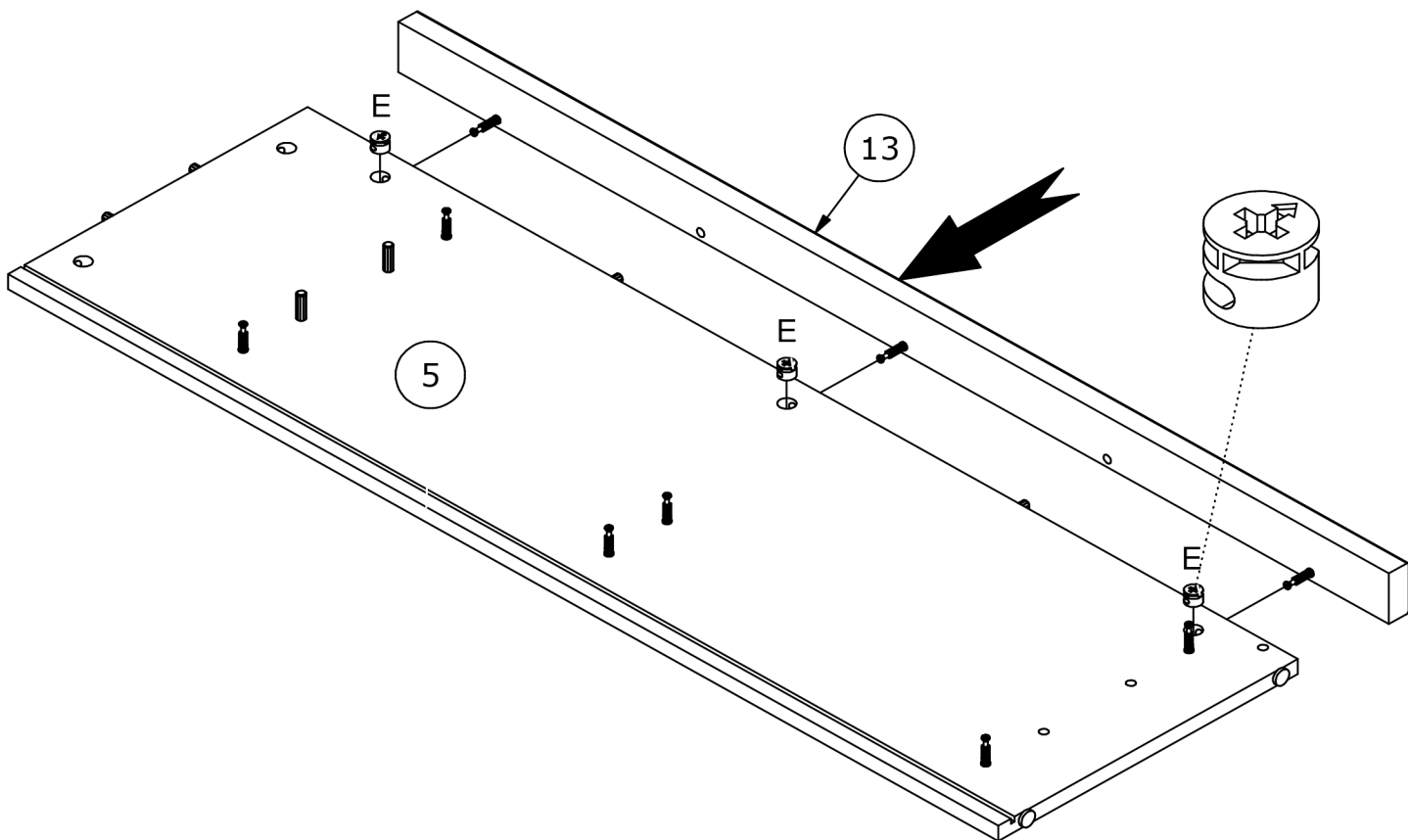
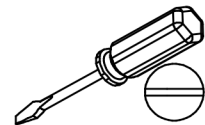
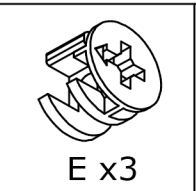
9



10



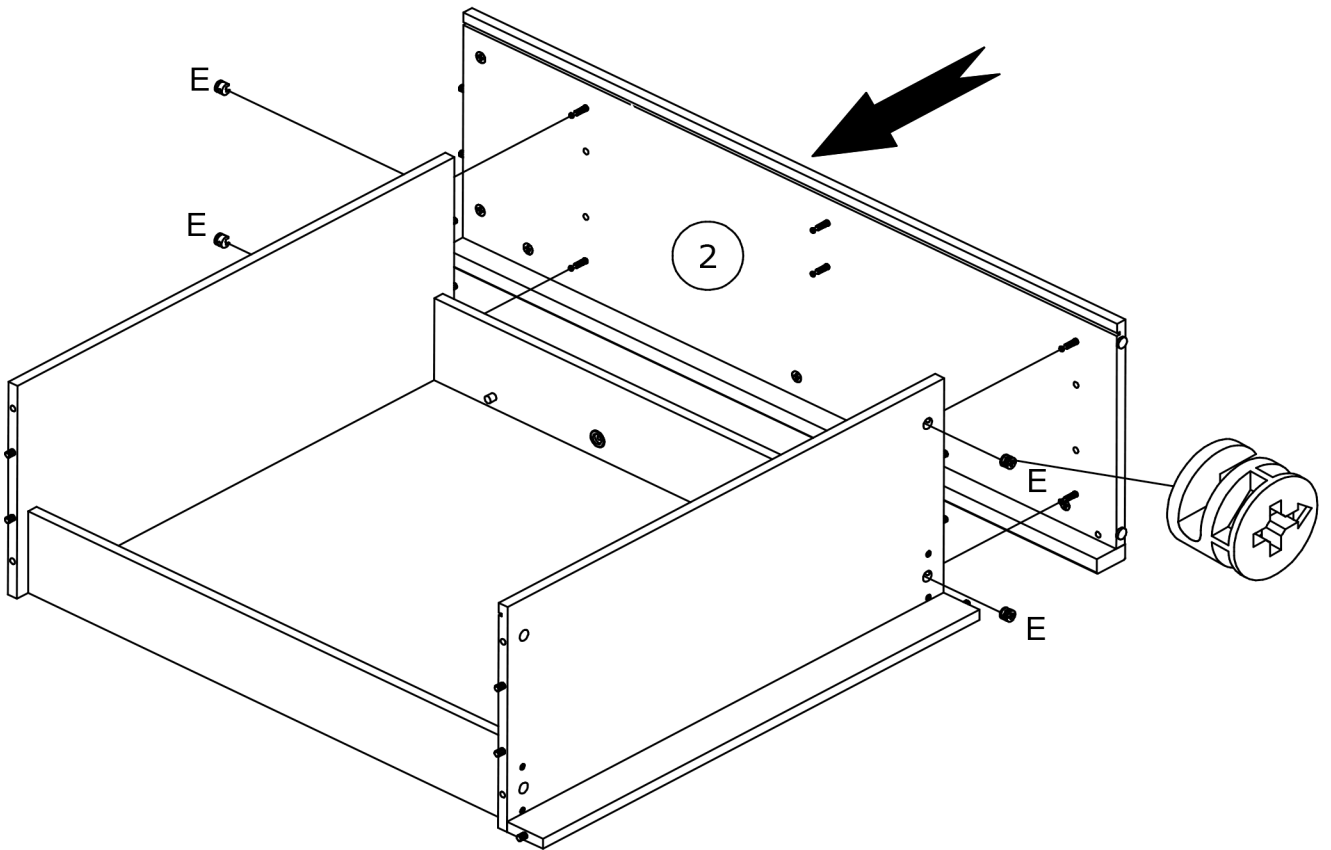
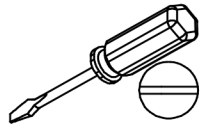
11



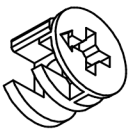
12



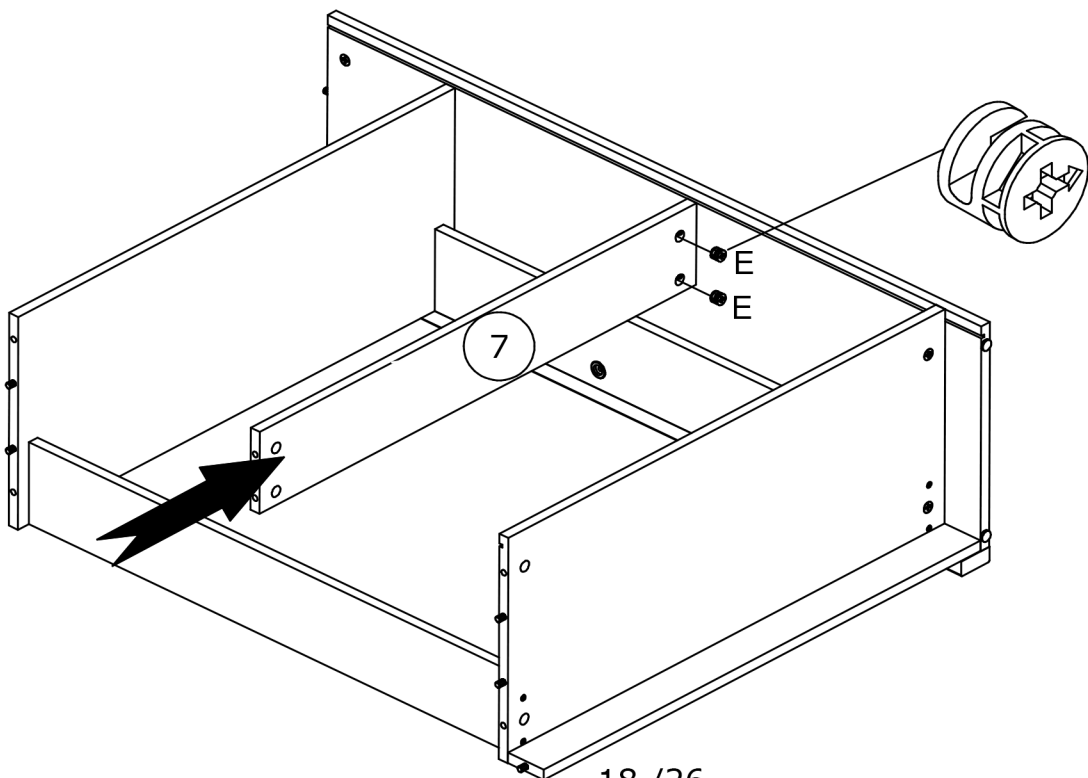
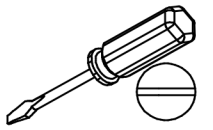
E x4



13



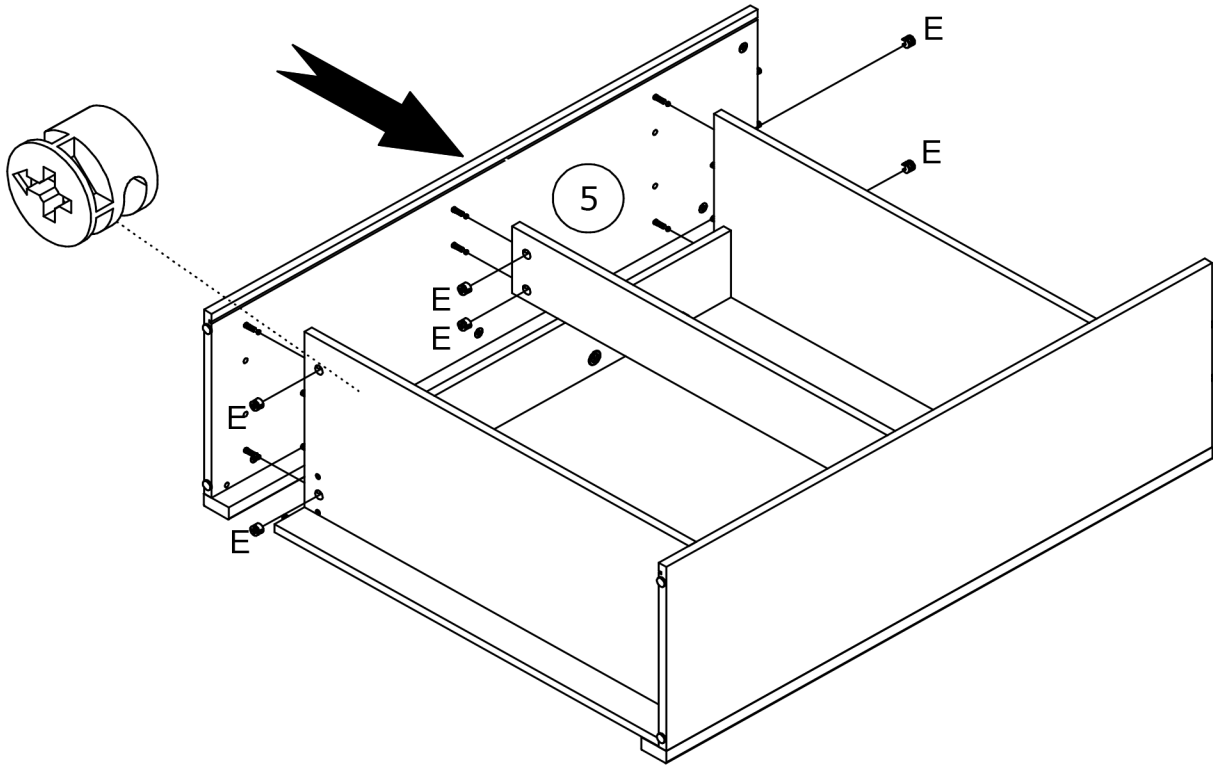
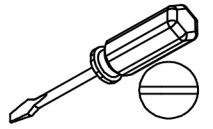
E x2



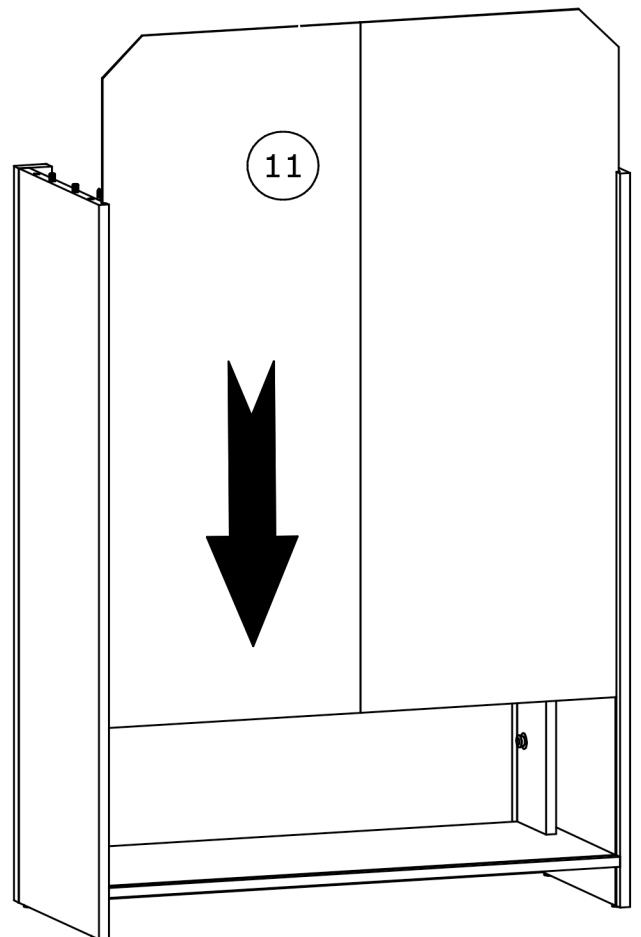
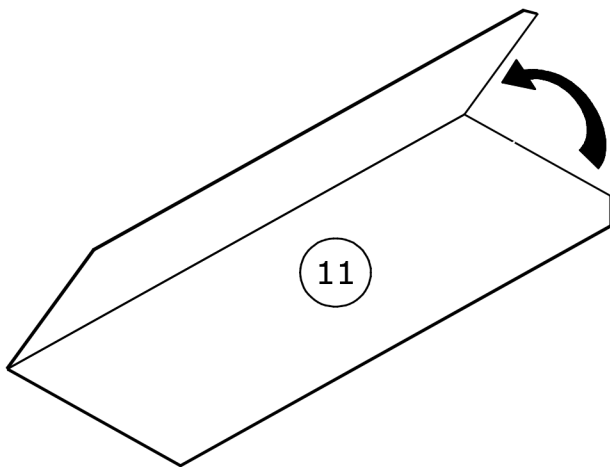
14



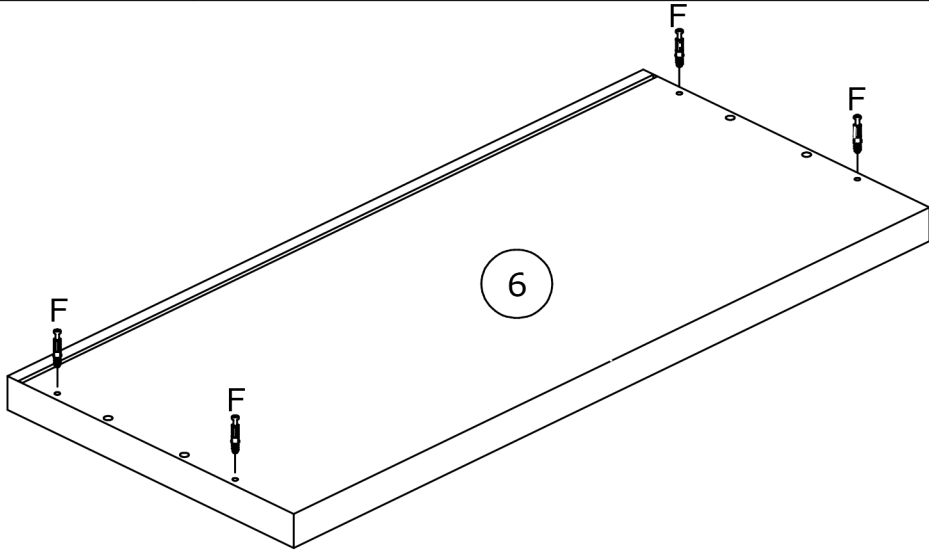
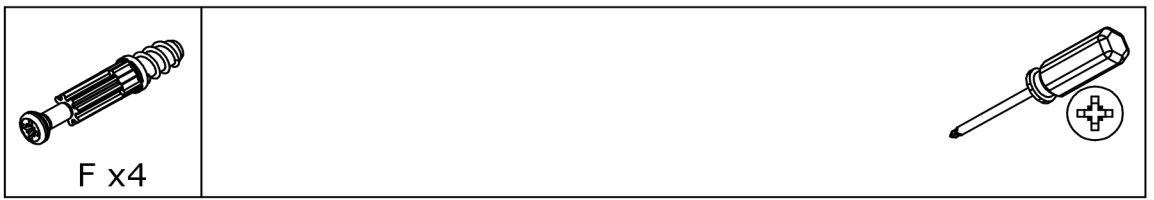
E x6



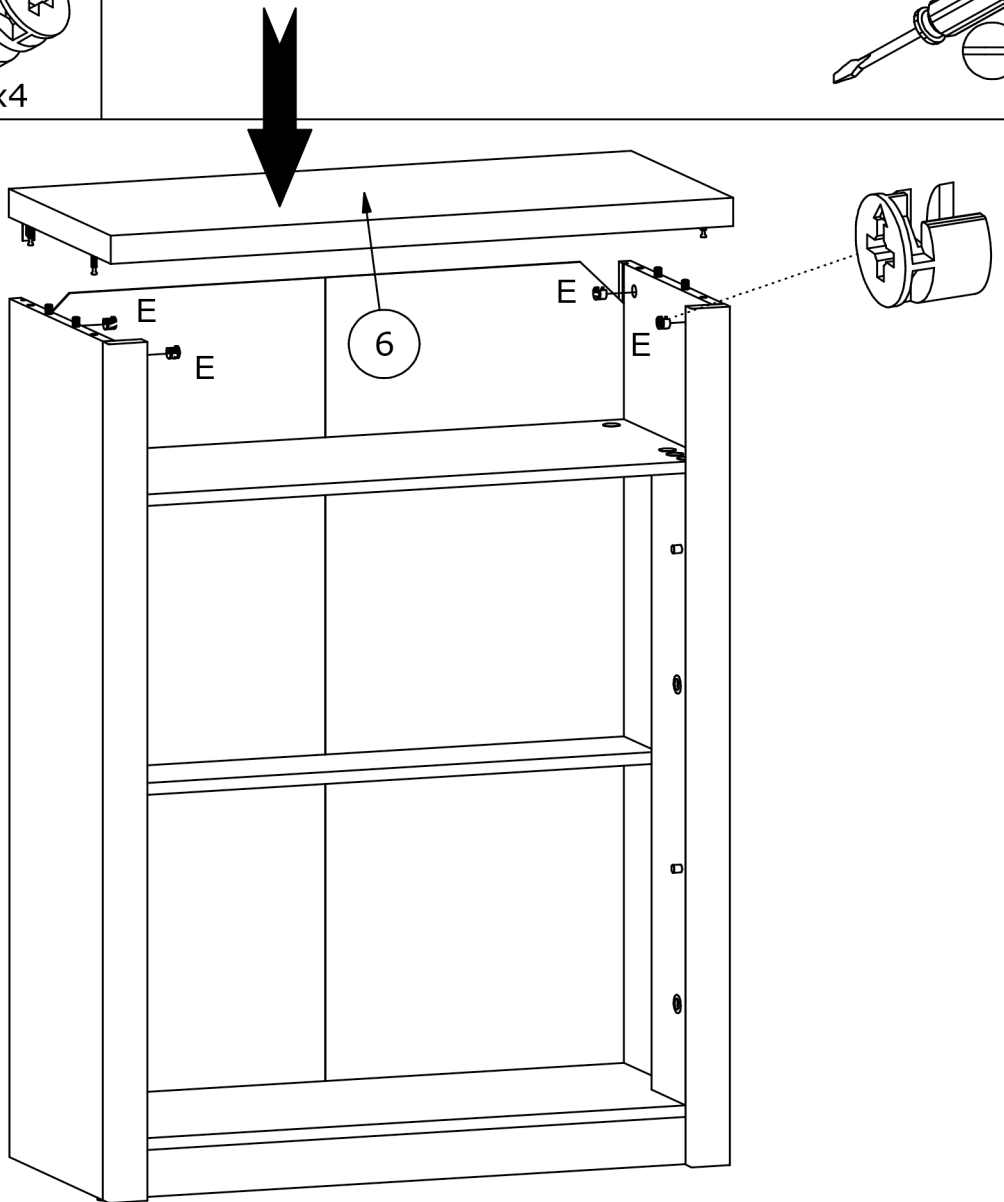
15



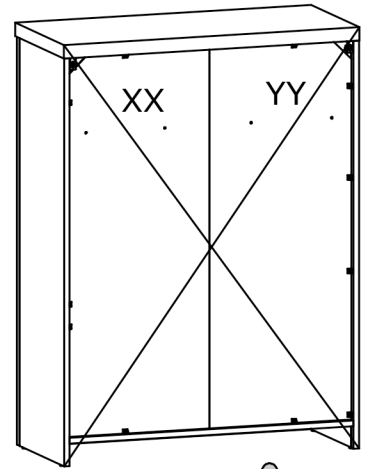
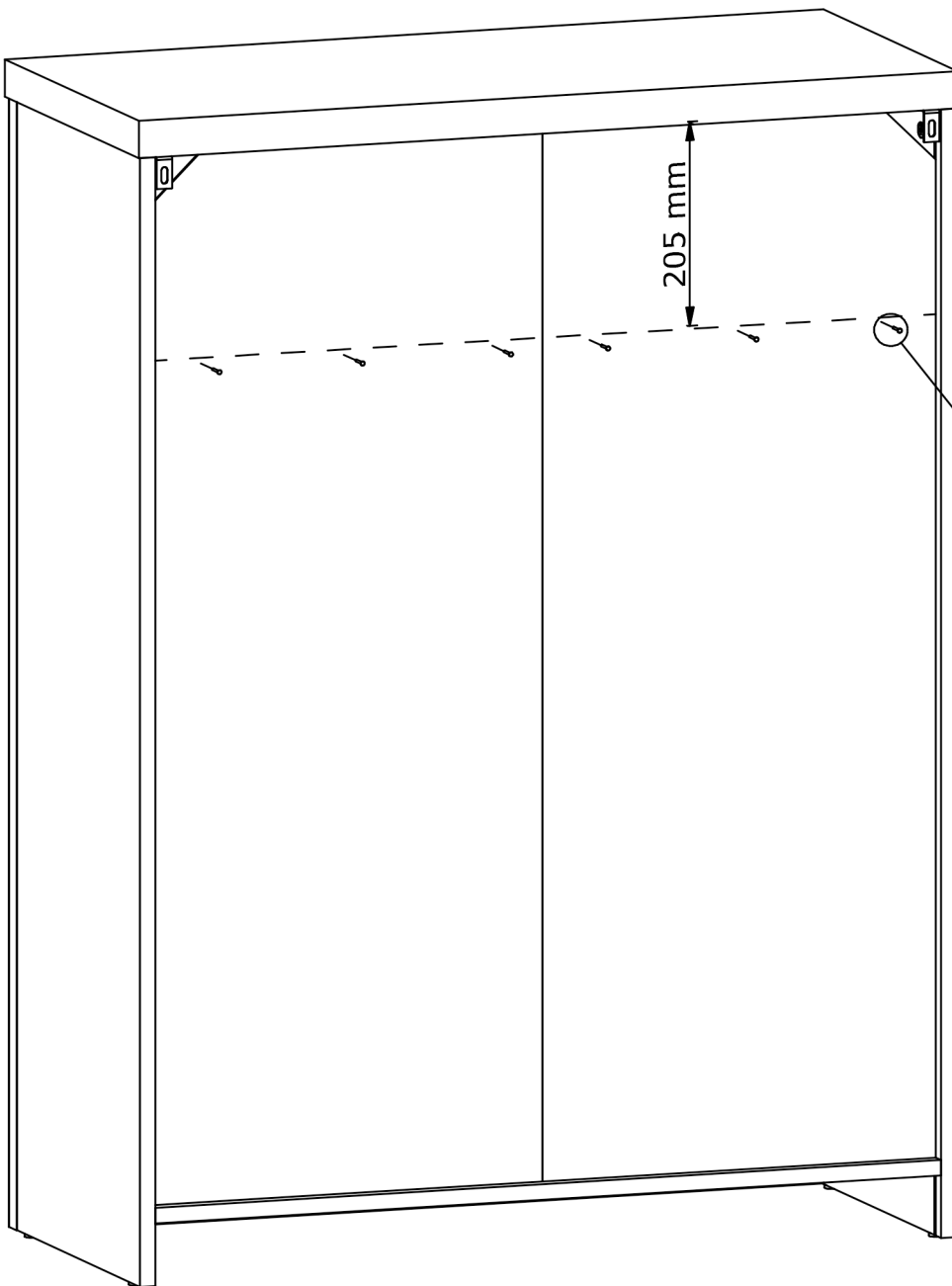
16



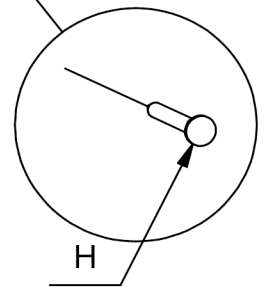
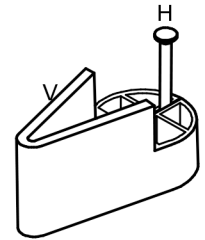
17



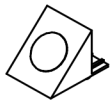
18



XX=YY=90°



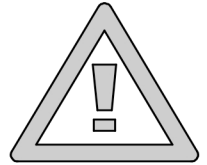
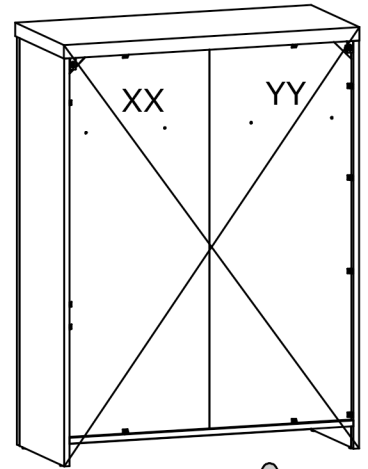
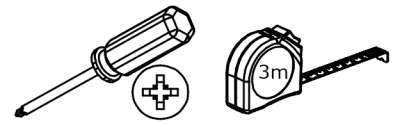
19



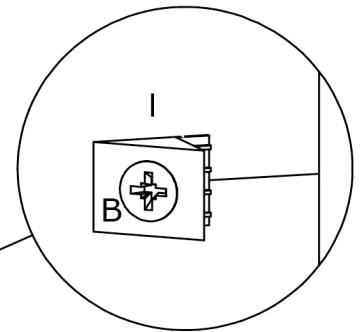
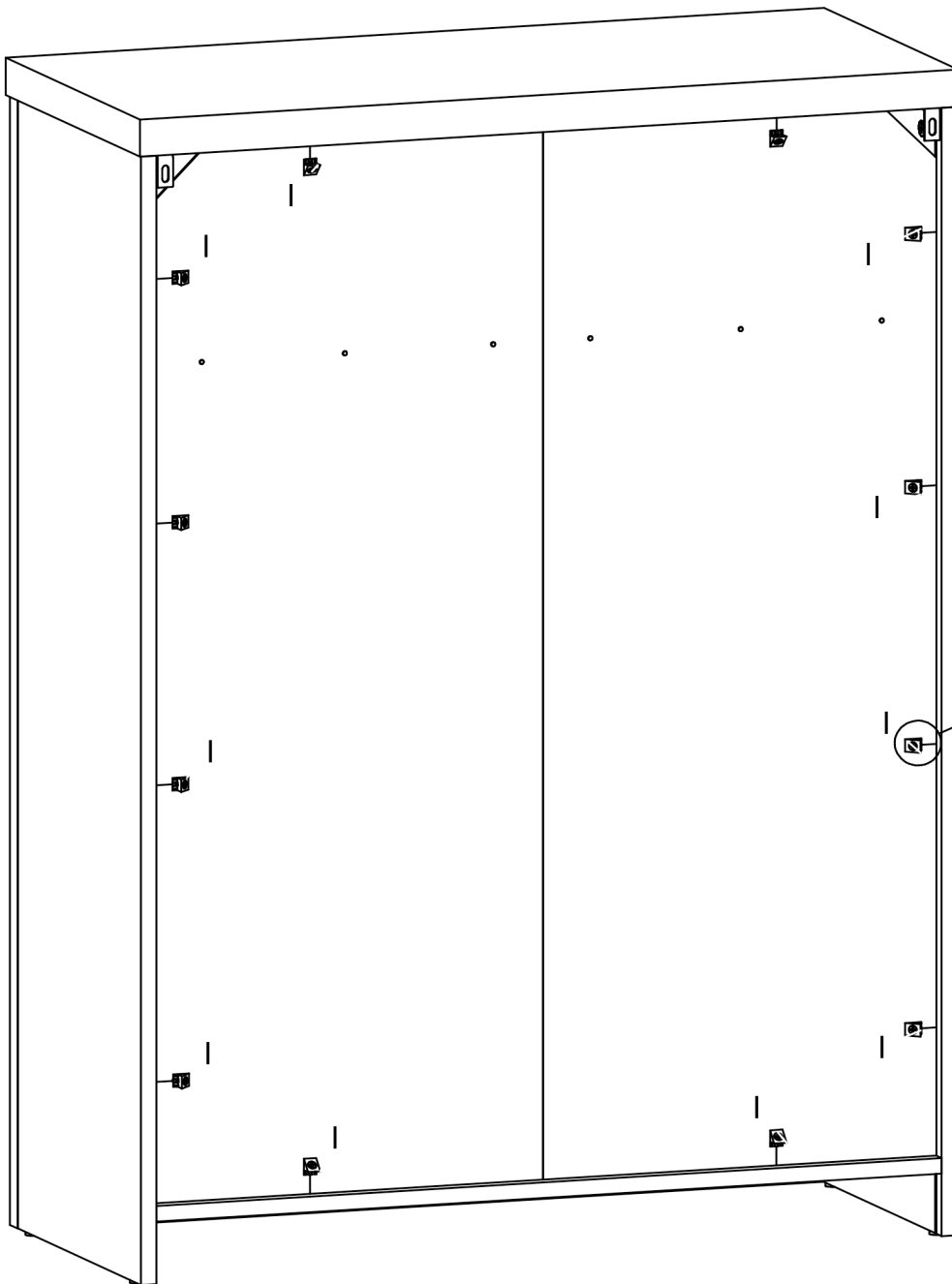
Ix12



Bx12



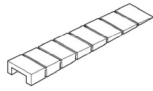
$XX=YY=90^\circ$



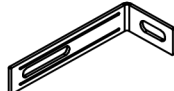
20



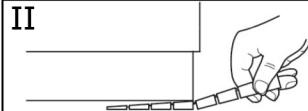
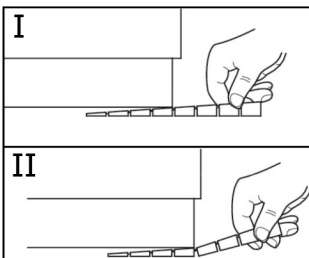
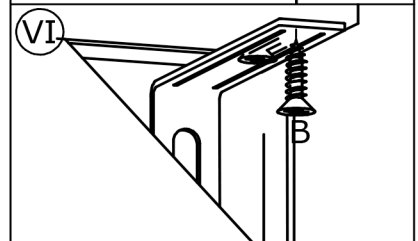
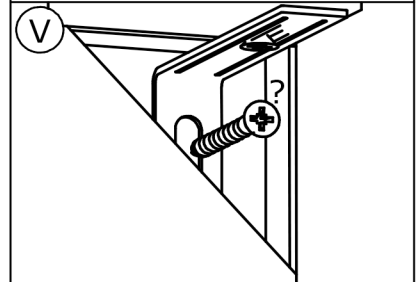
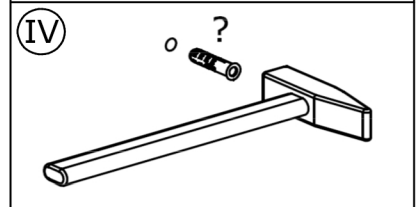
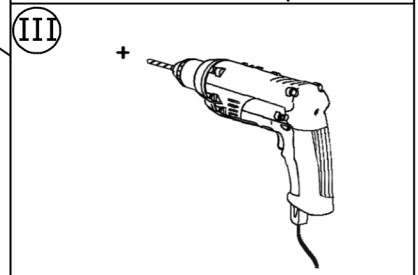
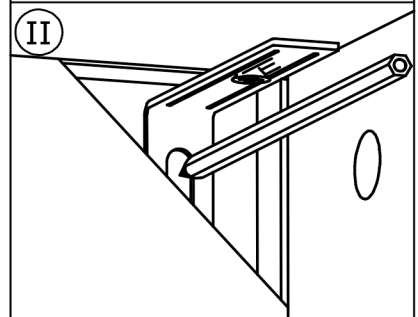
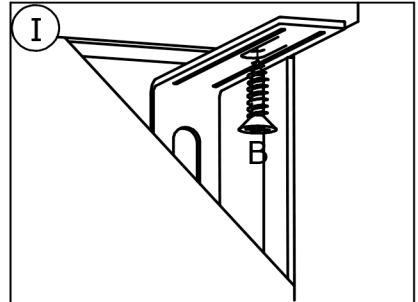
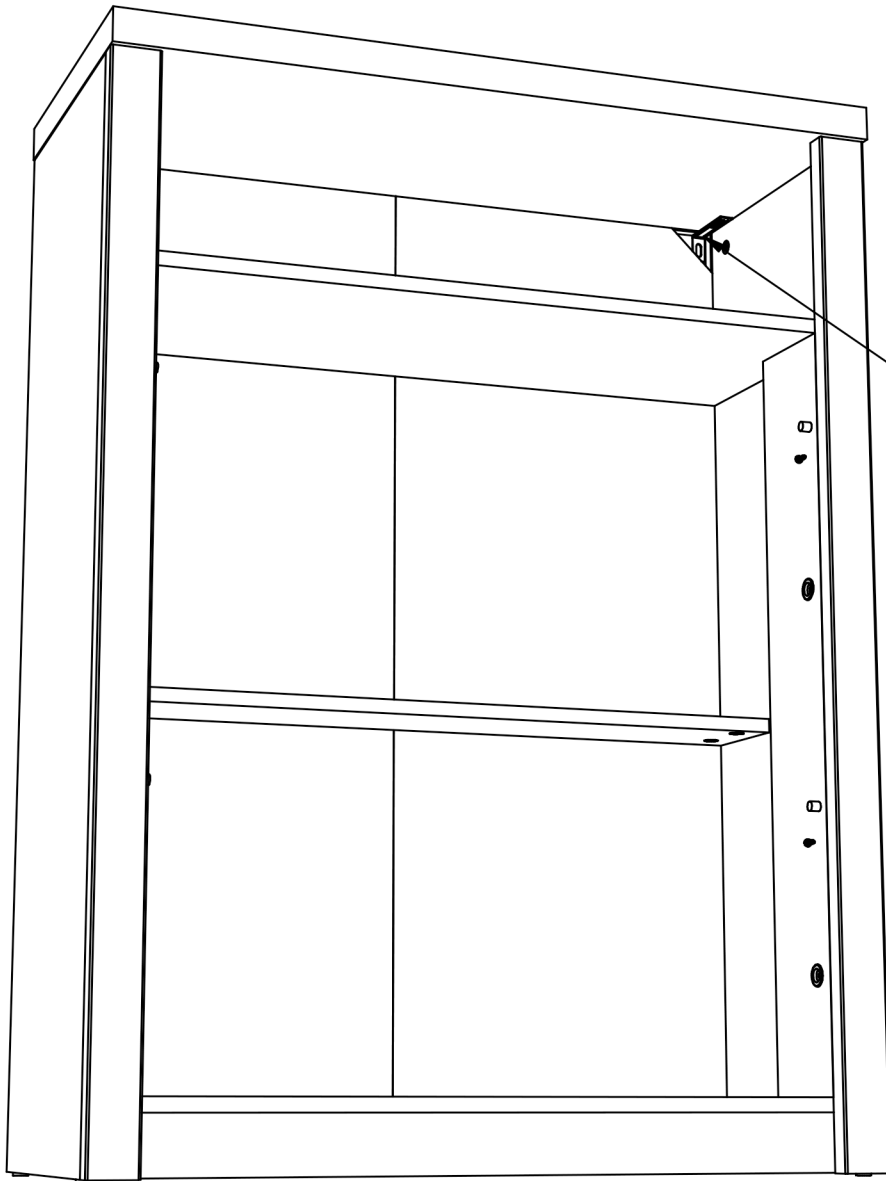
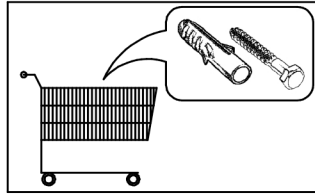
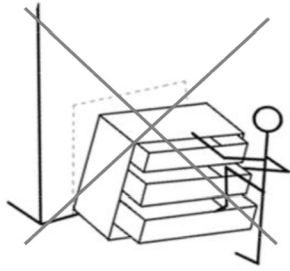
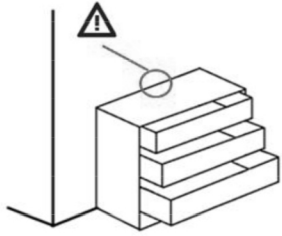
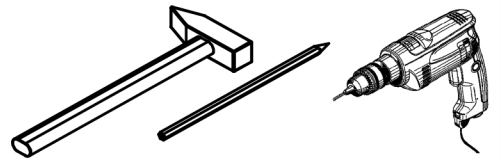
Bx4



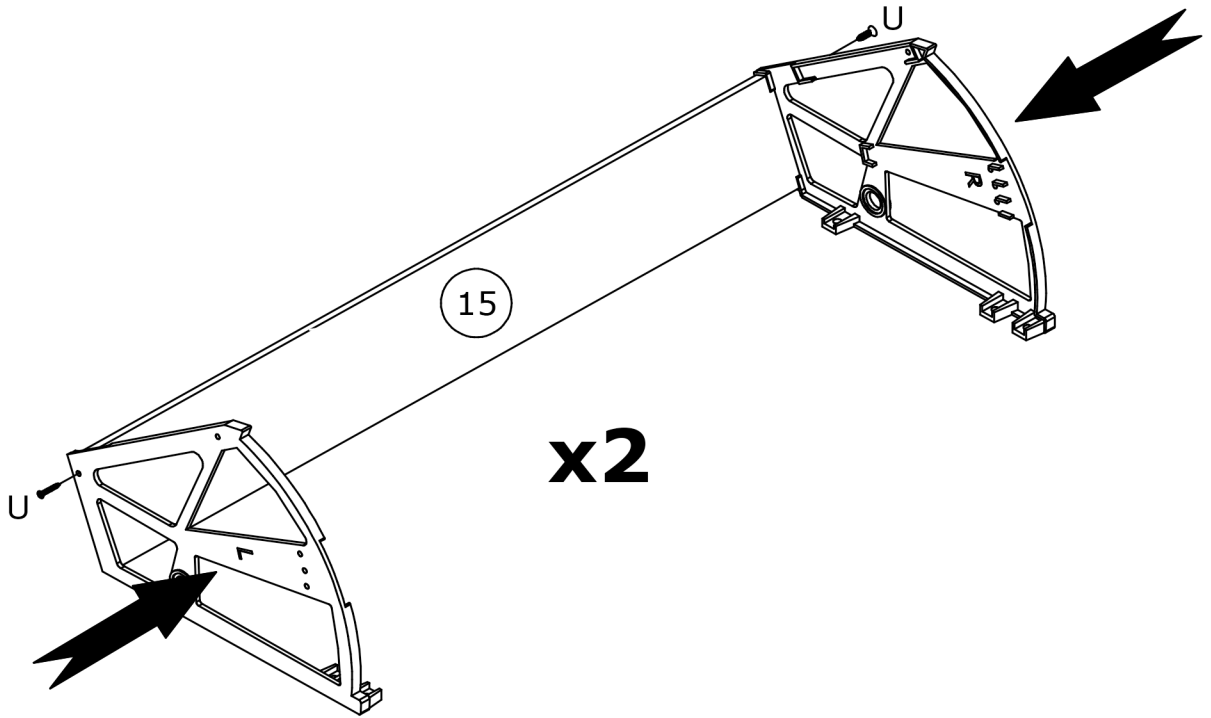
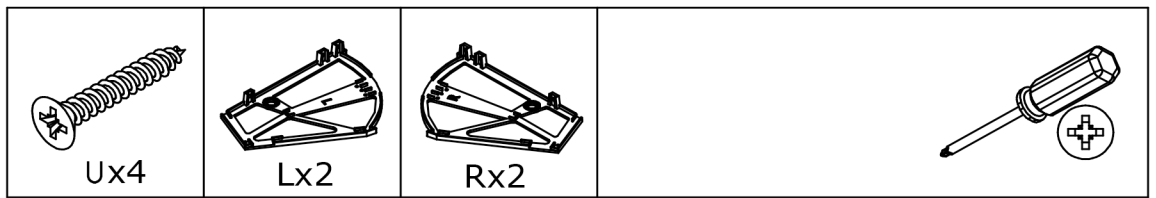
Gx2



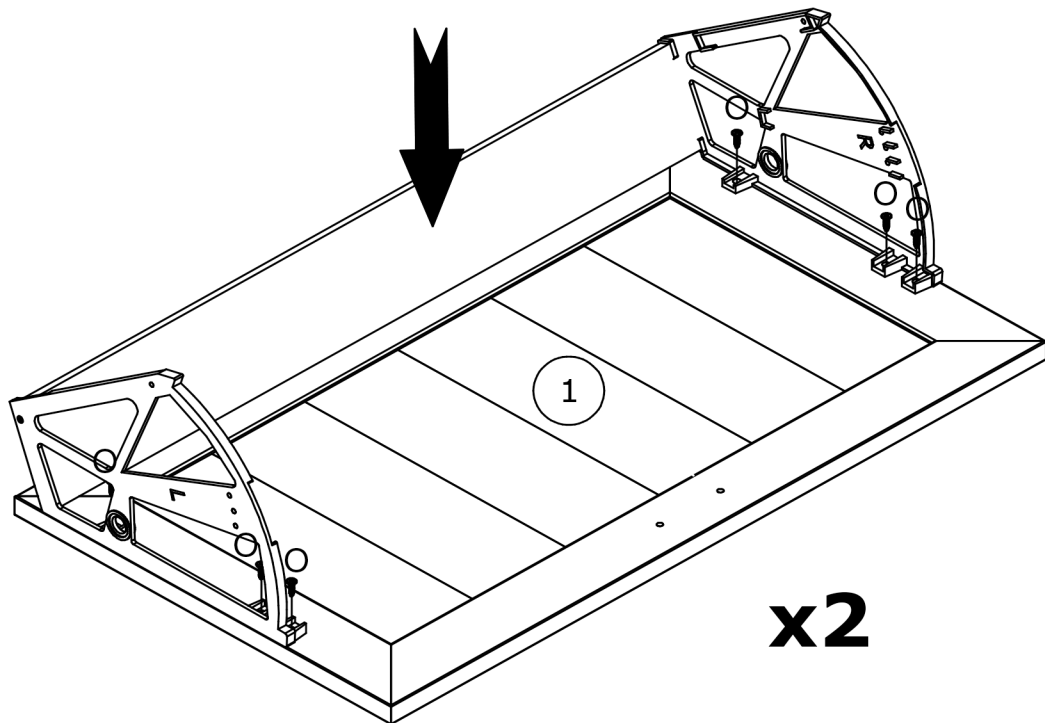
Jx2



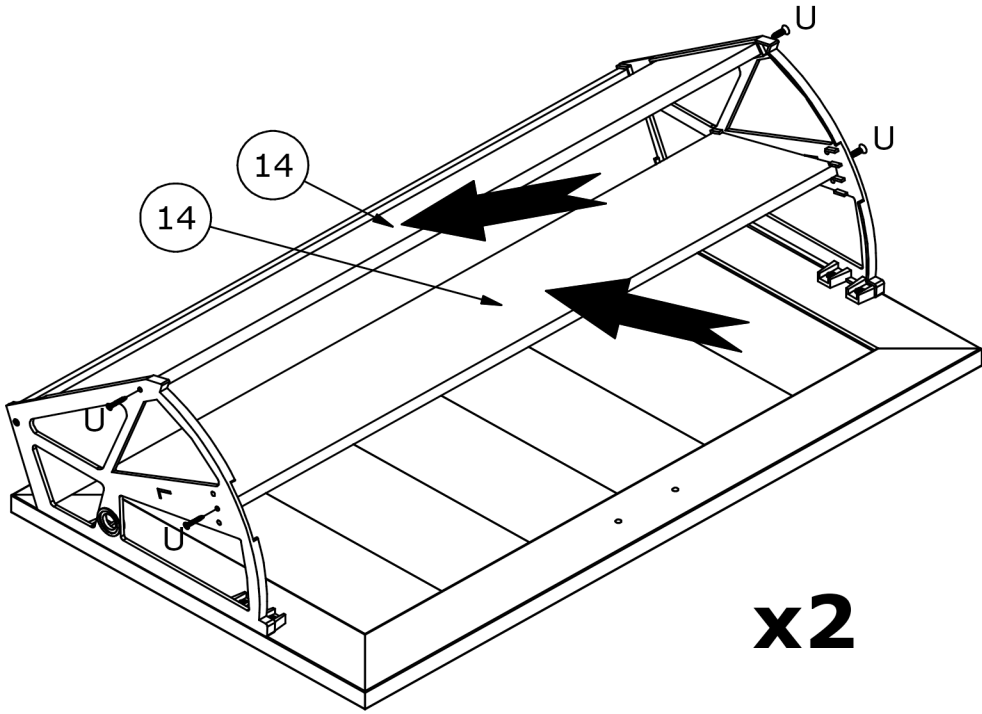
21



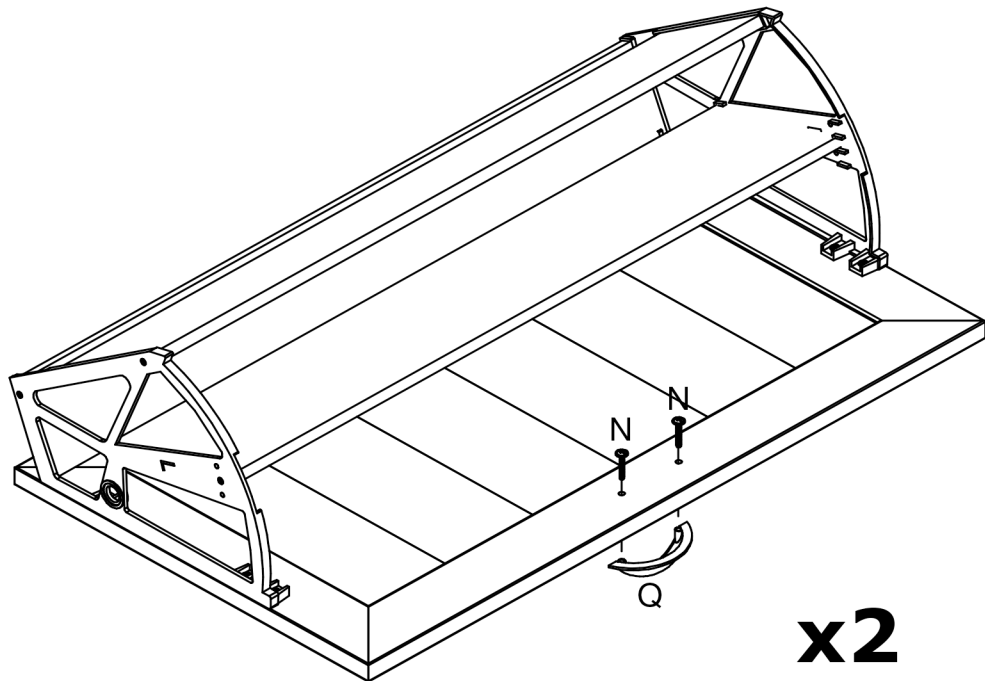
22



23



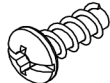
24



25



Sx4



Mx4



Dx12

